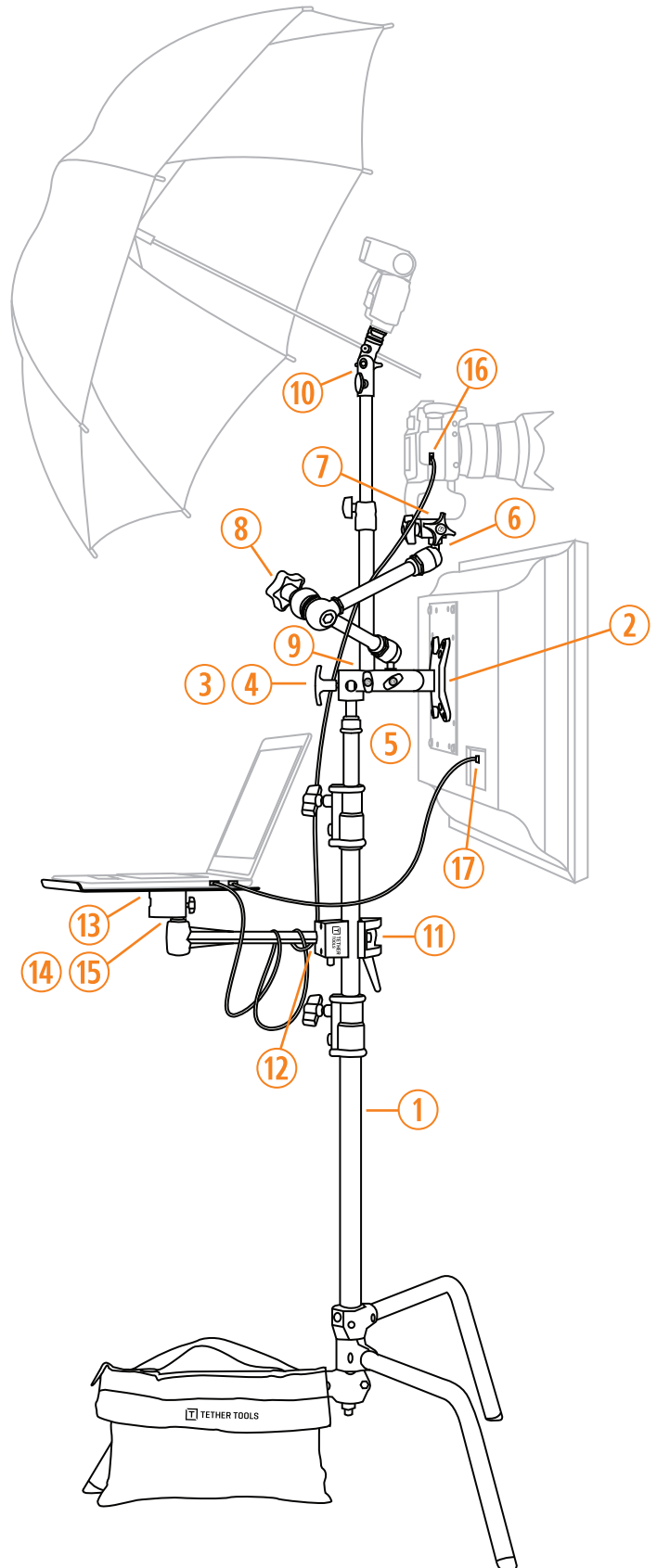


ROCK SOLID

Ultimate PhotoBooth Bundle

SETUP INSTRUCTIONS

- 1 Adjust the height of the stand to the desired position for the monitor.
- 2 Mount the Rock Solid VESA Studio Monitor Mount to the monitor.
- 3 Slide the Rock Solid VESA Studio Monitor Mount onto the top of the stand.
- 4 Position the monitor so the back leg is perpendicular to the monitor by rotating the Rock Solid VESA Studio Monitor Mount on the stand. When in the desired position, tighten the thumb screw.
- 5 Insert the Rock Solid Master Articulating Arm into the Rock Solid VESA Studio Monitor Mount hole located on the top, closest to the monitor.
- 6 Attach the Camera Platform to the top of the Rock Solid Master Articulating Arm.
- 7 Attach the camera to the Camera Platform.
- 8 While holding the camera, loosen the Rock Solid Master Articulating Arm knob. The arm and platform will become slack. Position the camera over the monitor with one hand and tighten the knob with the other.
- 9 Insert the Rock Solid 22" Telescoping Arm into the Rock Solid VESA Studio Monitor Mount hole located on the top, furthest from the monitor.
- 10 If using a speed light for flash, attach the Rapid-Mount Cold Shoe Elbow to the top of the Rock Solid 22" Telescoping Arm. Or attach the studio strobe directly to the Rock Solid 22" Telescoping Arm.
- 11 Mount the Rock Solid Master Clamp at the desired level on the stand.
- 12 Mount the Rock Solid Side Arm to the Master Clamp.
- 13 Attach the LAJO-4 ProBracket to the base of the Tether Table Aero.
- 14 Take the silver stud from the Rock Solid Side Arm and insert it into the bottom of the Aero Tether Table into the 3/8" screw hole.
- 15 Place the Tether Table Aero with stud into the hole at the end of the Rock Solid Side Arm. Tighten the thumb screw on the Rock Solid Side Arm.
- 16 Connect the TetherPro USB cable from the camera to the computer.
- 17 Connect the TetherPro HDMI cable from the monitor to the computer.



Place the Dual Wing Sand Bag on the back stand leg that is perpendicular to the monitor.
*A SecureStrap is recommended to fasten your laptop computer to your Tether Table Aero, insuring it will stay firmly in place.